

PUR lamination  
high gloss panels  
U.V COATING

matt finish

board printing  
board lamination staining  
paper pasting machine



# Wood UV Coating & Curing Machines



Infinite Innovations

[www.aplmachinery.com](http://www.aplmachinery.com)



## Company Profile

APL Machinery is India's leading company engaged in manufacturing of full range of UV Coating and Curing System and Screen Printing Machines for industries. Headquartered in Faridabad, the company caters to domestic and international market effectively through established network of sales & services offices and channel partners all over the world.

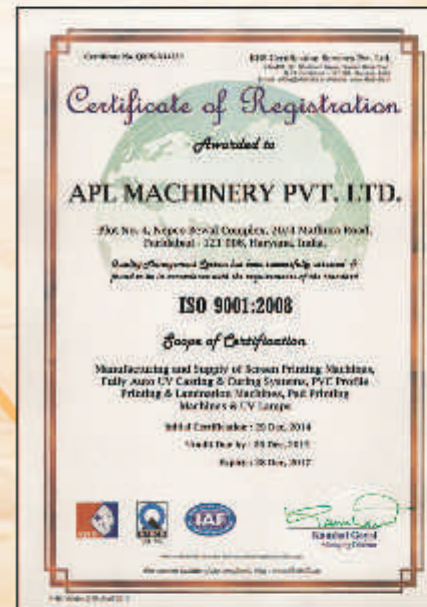
It was around 1960 when Paul group started "Printing business" in India. Followed by manufacturing of screen printing machines in 1995. Later Branched out in the production UV Curing (of coating by ultraviolet radiation) systems and other industry related products. With consistent efforts and lot of hard work put together over the years, APL Machinery created a name for itself, both in India and global market. APL Machinery is also honored with 'Star Award' In Gold category Paris 2001 from the 18th International 'World Quality Commitment' in printing industry convention held in Europe. Keeping pace with the changing environment, technology and needs of the clients, the company's Research and Development unit is constantly focusing on developing new products and improving the existing ones

We started in surfaces coating industry by entering into the PVC market. We started manufacturing lines for PVC printing and UV coating curing lines. With time we entered into wood UV coating and curing lines. Since then we have sold number of machines in different parts of country and abroad. The major advantage APL has is we have be doing UV coating and curing solution for most of the materials since 1999.

# Certificate

The customer is supreme quality first  
Continue to innovation sustainable  
management

- To the quality strives for the survival.
- Quality is the lifeblood of an enterprise.
- To seek business integrity.
- Take the good faith as the most basic principle.
- Service for development.
- With good service to establish cooperative relations for a long time.



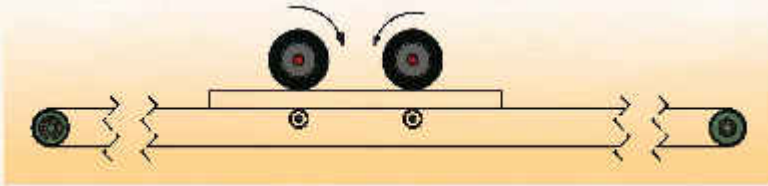
# Automatic Board Feeder



**50 inch Auto Feeder + 5' Conveyor**

Item	Load (kw)	Total load (kw)	L	W	H
Power Pack	2.2	2.57	118"+60"	75"	58"
Roller Motor	0.37				

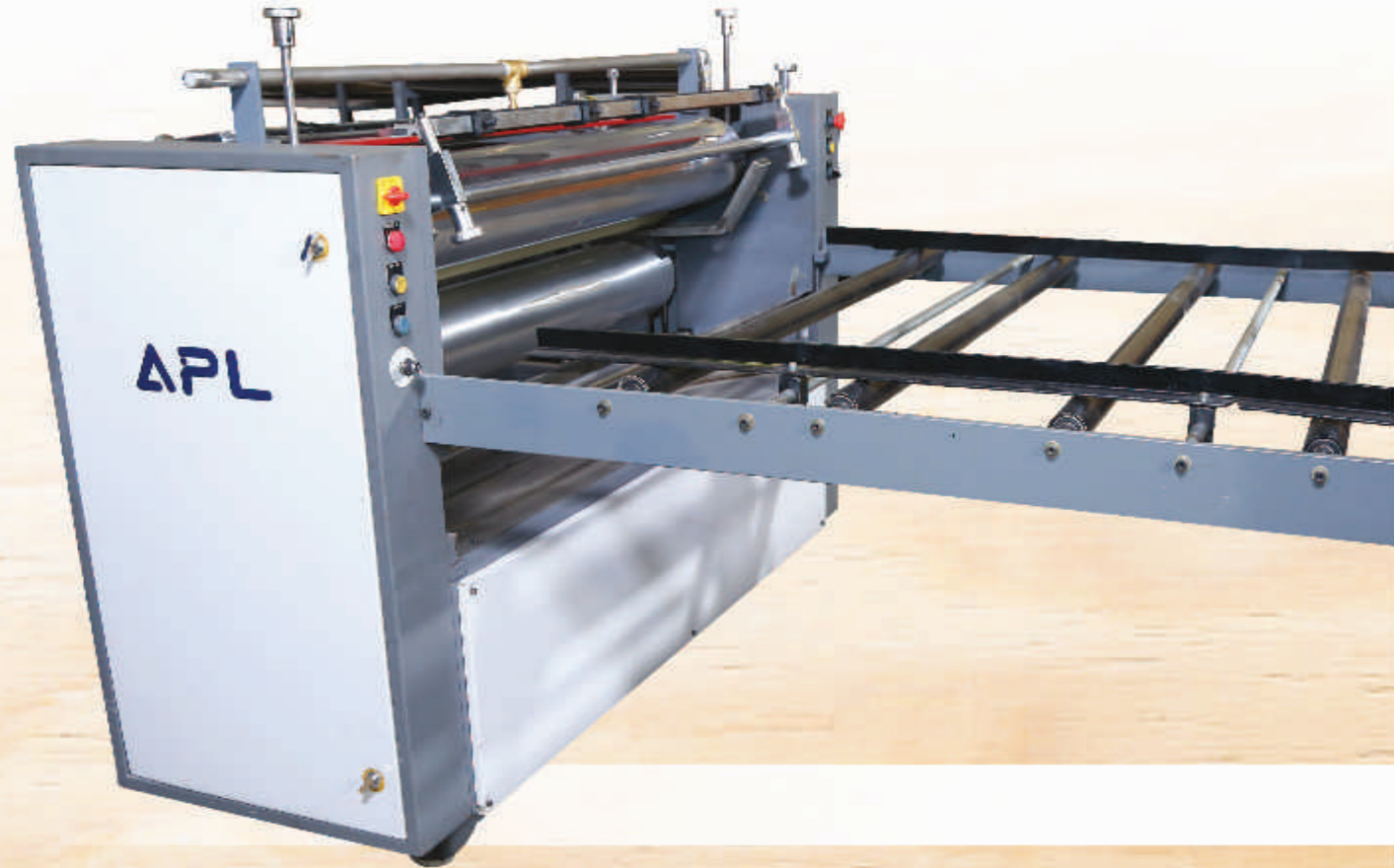
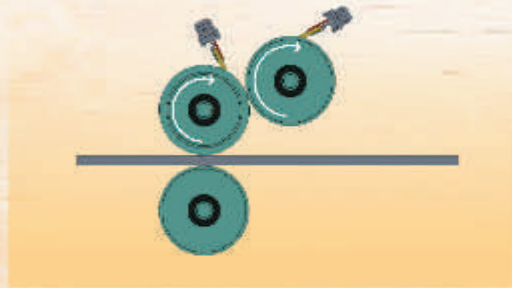
# Dust Remover



50 inch Dust Remover					
Item	Load (kw)	Total load (kw)	L	W	H
Blower Motor	2.2	3.7	144"	79.5"	54"
Conveyor Motor	0.75				
Brush Roller Motor	0.75				

# Single Station Roller Coater

Roller Coater is most suitable for all kind of coating applications. In this, possibility of fixed, rigid head for different applications / thickness and the floating, auto-levelling system for others – this gives constant pressure over the entire panel shape.



<b>50 inch Single Station Roller Coater</b>					
<b>Item</b>	<b>Load (kw)</b>	<b>Total load (kw)</b>	<b>L</b>	<b>W</b>	<b>H</b>
Brush Roller Motor	1.5	1.87	24"	78"	54"
Varnish Pumps	0.37				

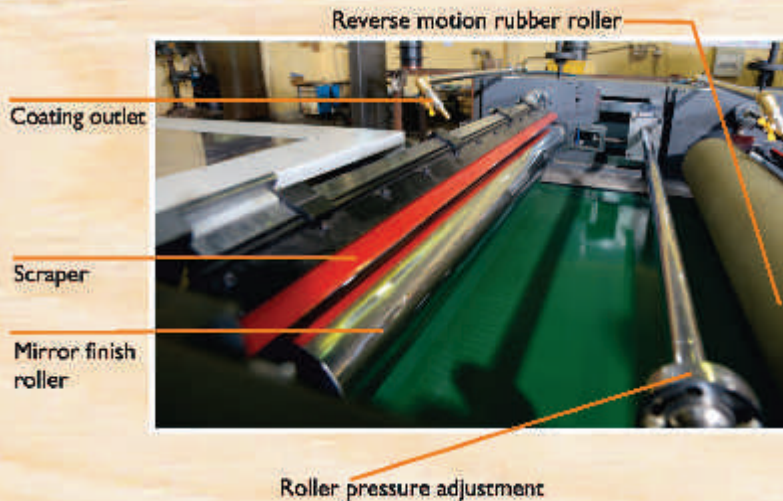
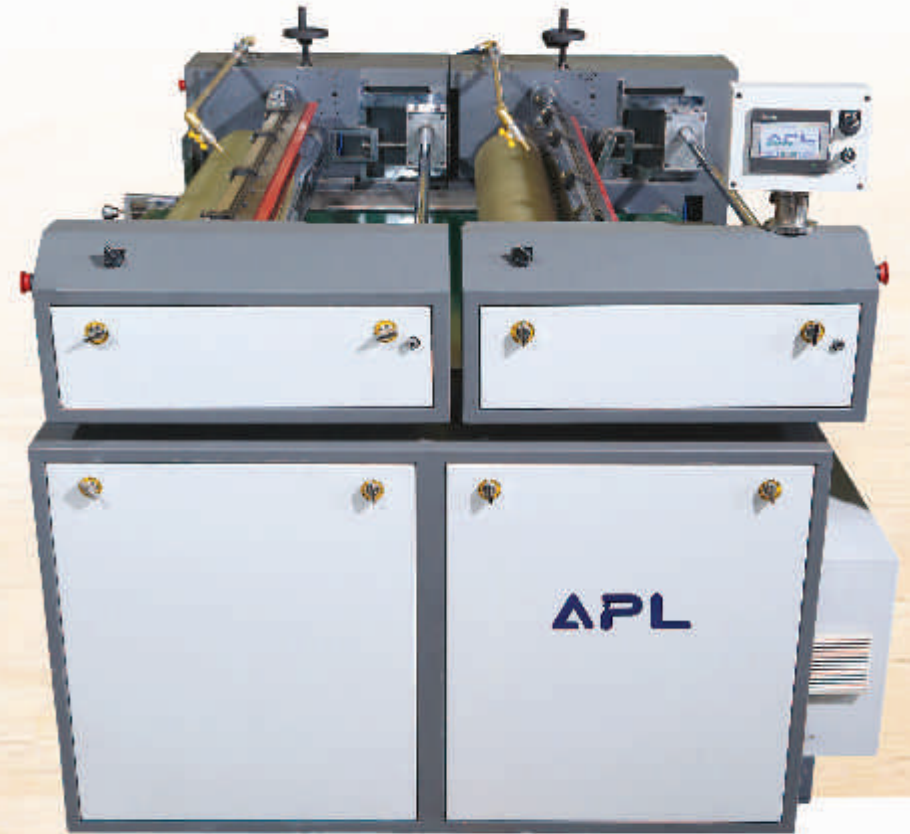
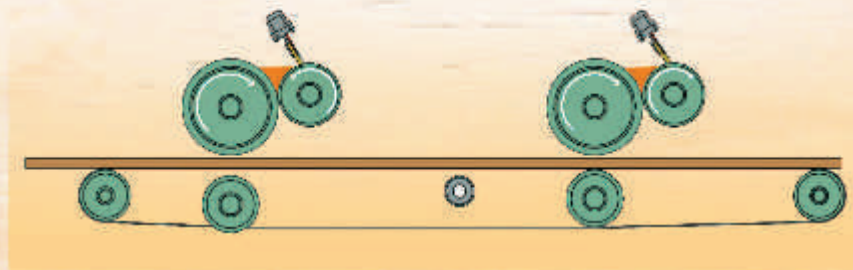
# UV Curing System (Single Lamp)



50 inch UV Curing System					
Item	Load (kw)	Total load (kw)	L	W	H
UV Lamp	15	18.7	110"	79.5"	48"
Blower	2.2				
Conveyor Motor	1.5				

# Double Station Roller Coater

Double Station Roller Coater is suitable to apply high quantities of sealer or top coats smoothly, with application quality comparable to a curtain coater application. Double station roller coater to apply wet on wet stains, primers and sealers. Double station roller coater with second application of roller REVERSE coating technology, to apply high viscosity sealers.



50 inch Double Station Roller Coater					
Item	Load (kw)	Total load (kw)	L	W	H
Conveyor Motor	0.75	7.12	72"	80"	50"
Rubber Roller Motor	3				
Chrome Roller Motor	1.5				
Slide Motor	1.5				
Wiper Motor	0.37				



# Flash off Conveyor



**50 inch Flash off Conveyor**

Item	Load (kw)	Total load (kw)	L	W	H
Conveyor Motor:	1.5	1.5	180"	64"	34"

# UV Curing System (Double Lamp)

## FEATURES

- UV intensity management (25%, 50%, 75%, 100%)/ Hibernation mode.
- Optically simulated to focus maximum energy of the substrate passing below the lamp.
- High speed UV curing process.
- Hot Air and IR module.
- Teflon conveyor belt.
- Machine can be configured with printing or coating machines to make all your processes an online.
- Vacuum bedded to hold the paper on to the conveyor.
- Auto Lamp off on lifting of Hood.
- Suction blower for efficient thermal control system.
- AC drive for variable speed of conveyor.
- Panel constructed within the panel.
- Automatic stacking system.
- Conveyors with hydraulic system to adjust the height of the conveyor system.
- Auto Power Hood (The hood gets lifted pneumatically when there is a power cut or paper gets jammed).
- Lamp hours display.
- Emergency switch.



**50 inch 2 UV Conveyor**

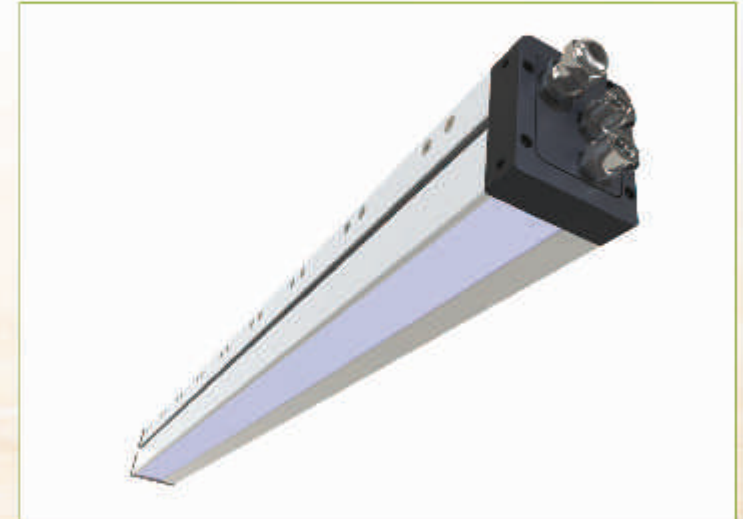
Item	Load (kw)	Total load (kw)	L	W	H
UV Lamps	30	39	180"	79.5"	48"
Blower	7.5				
Conveyor Motor	1.5				

# High Performance LED UV Curing System

## AMS XP SERIES LED BENEFITS

AMS LED systems are designed to meet the highest production speeds and most intense drying applications in wood coating:

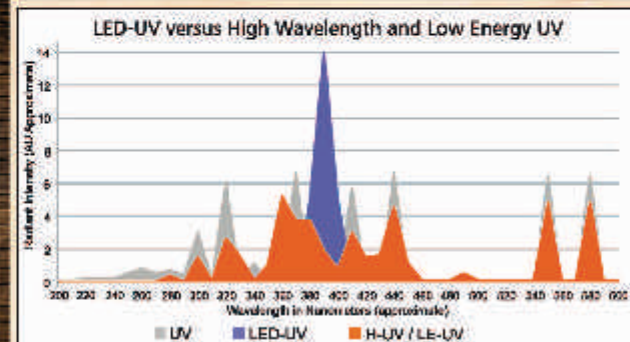
- Huge power saving.
- Only 1 LED Cassette Required for High Deposition of UV Coating.
- No warm-up/cooling time (Instant On/Off) .
- No Heat generation/cold UV.
- Lamp Life more then 30,000 hours.
- Machine can run on full speed.
- High fidelity and gloss in coating.
- No smell.
- Increase upto 400% in coverage.



Patented AMS LED UV™ XP Series modules provide next generation curing power for high speed commercial, packaging and plastics presses.



Single Units: Performance + Control™ (PC) Series | Power Driver



# Automatic Board Stacker



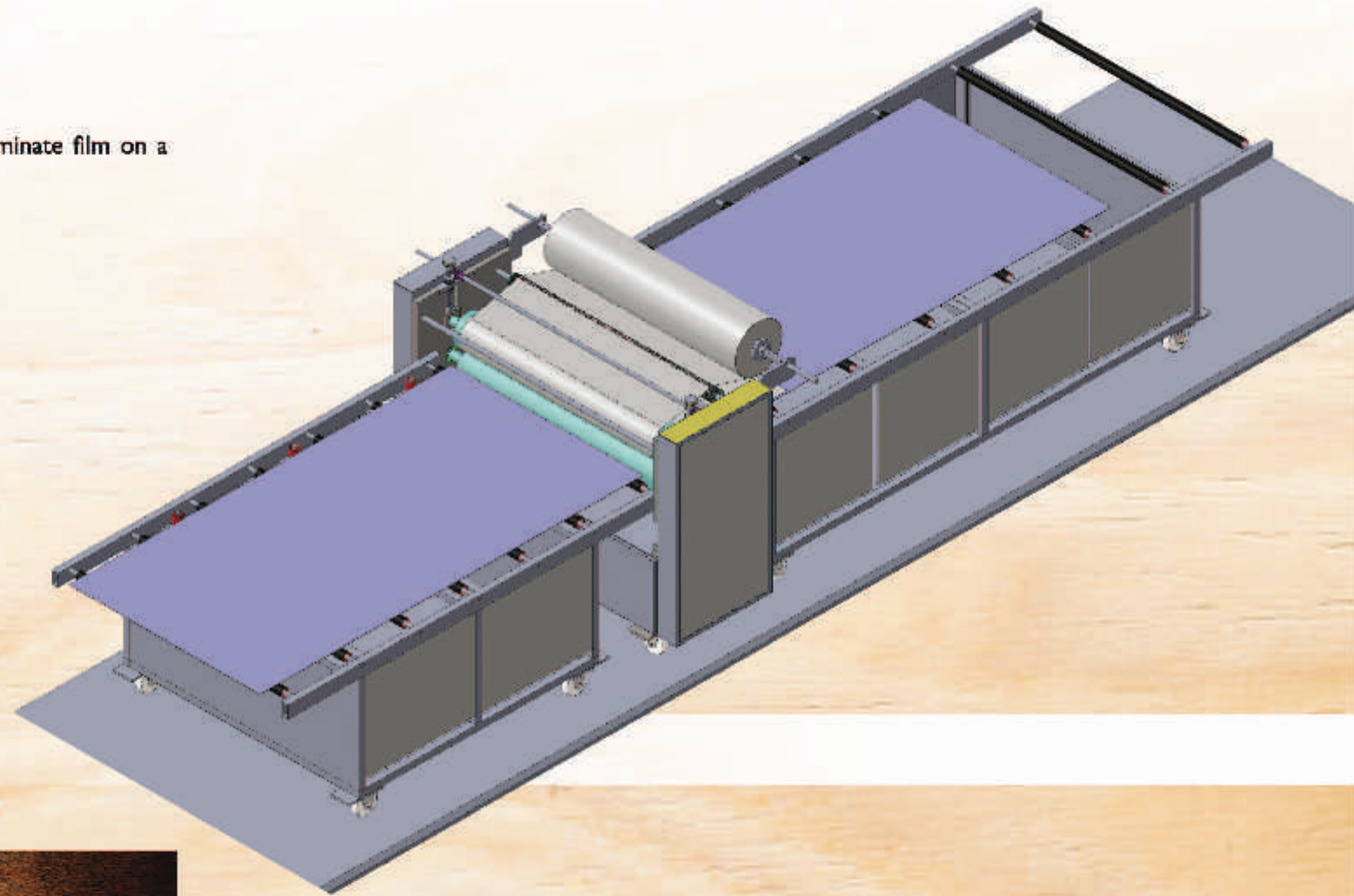
**50 inch Auto Stacker**

Item	Load (kw)	Total load (kw)	L	W	H
Power Pack	2.2	2.57	118"	75"	58"
Roller Motor	0.37				

# Film Lamination Machine

## Film Lamination

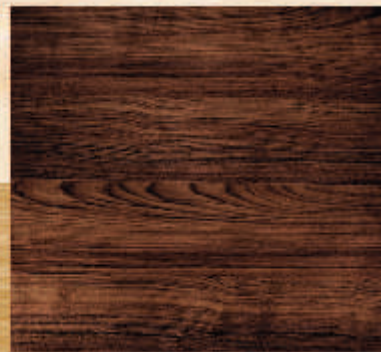
It is a protective film laminator to laminate film on a finish product to avoid scratches.



# Digital Printing Machine

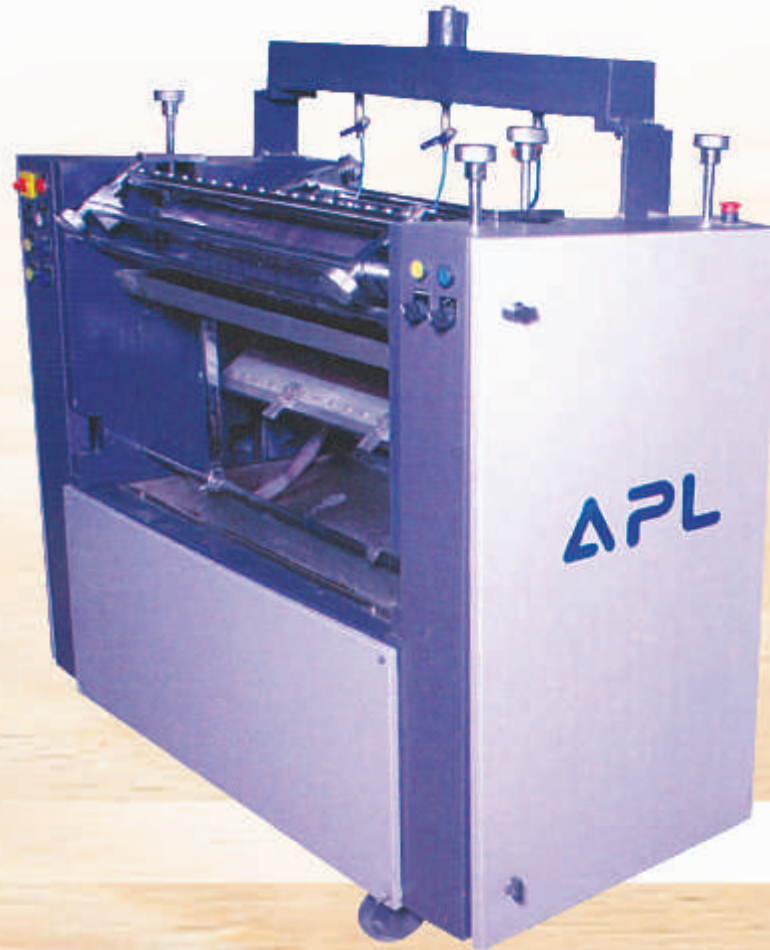
## Flatbed Printer Feature:

1. Category : APL UV Flatbed Printer Series
2. Print Head: Piezo head
3. Print Head: GENS
4. Print Head Type Head Control : Software Auto-control print head voltage
5. Ink Type: UV Ink
6. Ink Cartridge : CISS Ink / Volume 1000ml
7. Dry system: LED water-cooled UV lamp
8. RIP Software : Photoprint / Printer Manager / Main Top/ Ultraprint adjustment function
10. File Format: TIFF/BMP/PDF/EPS/JPEG etc
11. Power Supply: AC220V( $\pm 10\%$ ), 50HZ,  $\geq 16A$ , P4KW
12. Working Environment:  
Temperature 20°C-28°C, Humidity 20-60%



# Printing Station

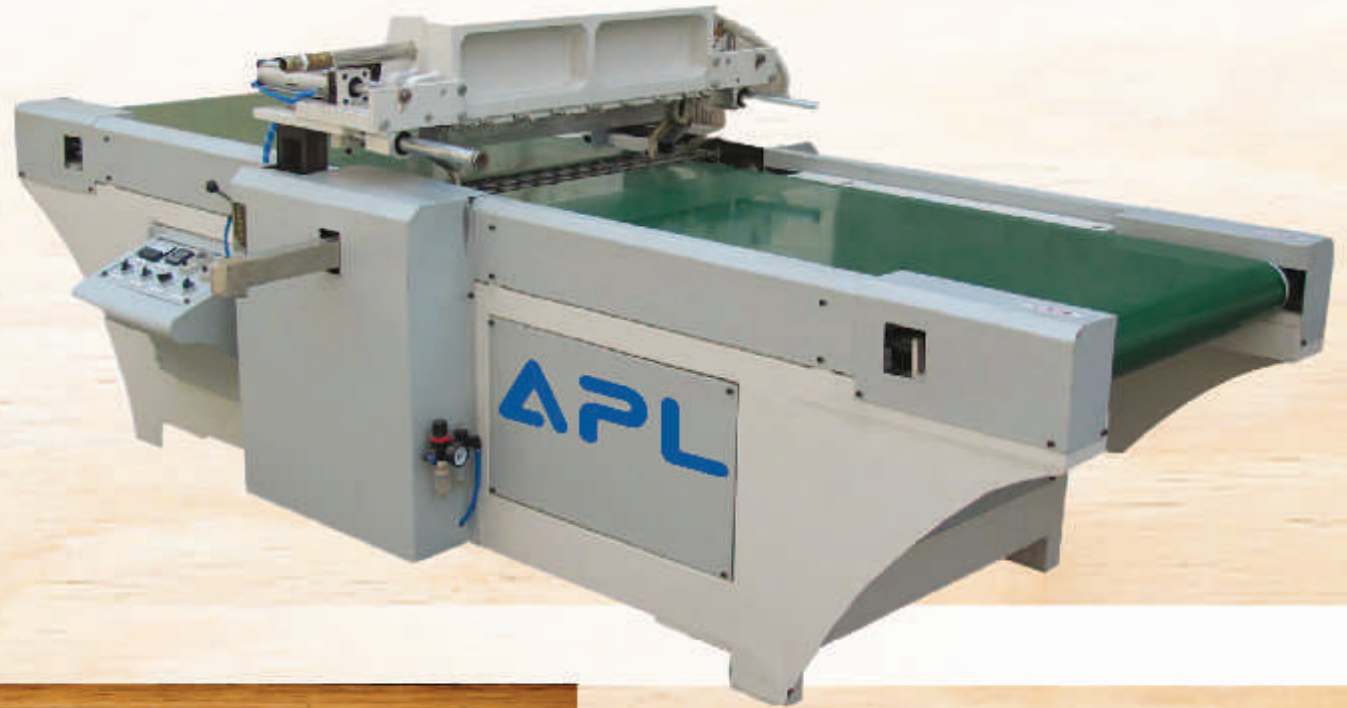
It is a Printing Unit which Prints Wood Grains or any continuous pattern by Design Roller.



50 inch Printing machine					
Item	Load (kw)	Total load (kw)	L	W	H
Roller Motor	1.5	1.87	24"	78"	54"
Varnish Pumps	0.37				

# UV Curtain Coater

APL WCC Curtain Coater suitable for the application of any kind of coatings with different viscosities. This machine have Removable coating heads with trolleys completely separated from the structure of the machine. Stainless steel tanks with temperature control device to maintain uniform viscosity.



**50 inch Curtain coater**

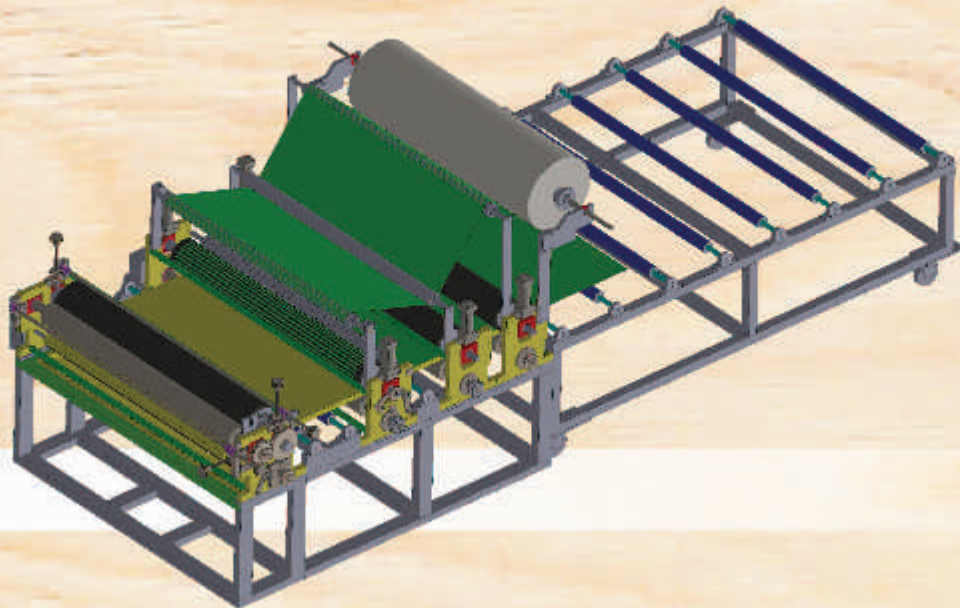
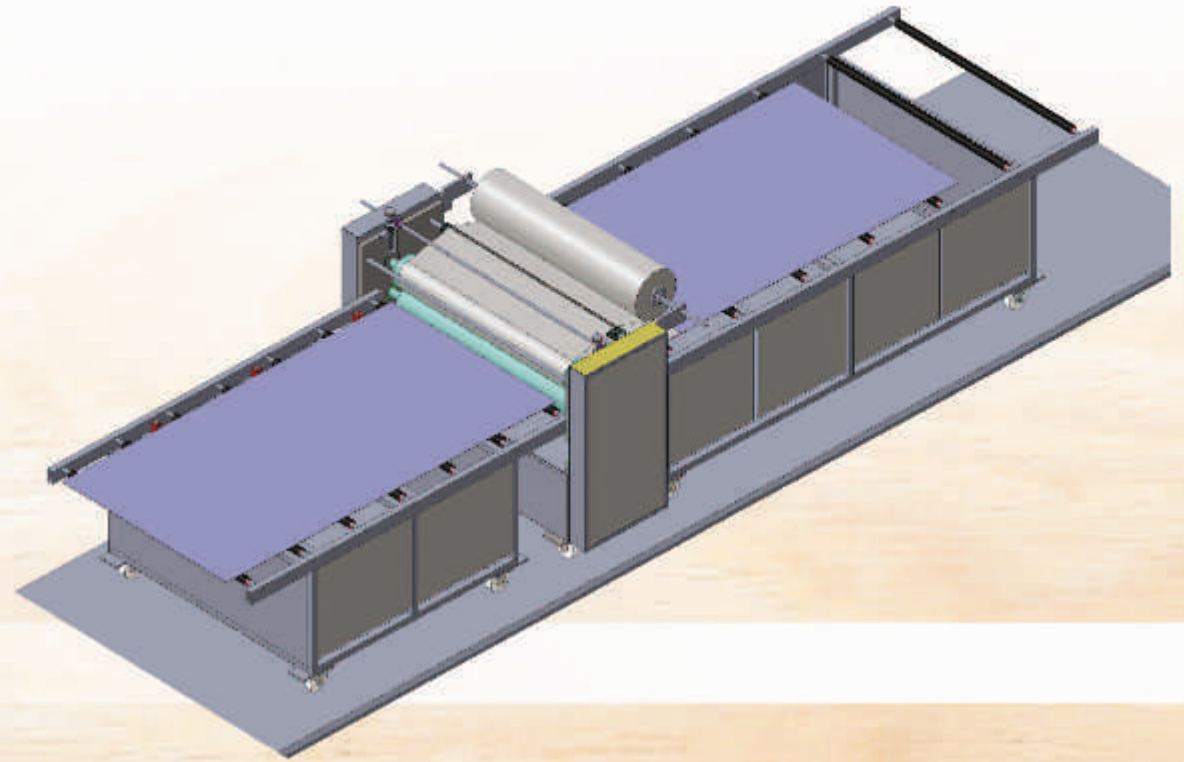
Item	Load (kw)	Total load (kw)	L	W	H
Conveyor Motor	1.5	3.7	180"	65"	50"
Varnish Pumps	2.2				



# Cold Lamination Machine

## Cold Lamination Machine

It is used to paste paper or PVC sheet on paper by using water based glue.



# PUR Lamination Machine

PUR(HOT GLUE) Lamination Machine on any wood to paste :

- Glass
- Acrylic
- Veneer
- PVC Sheet
- Paper

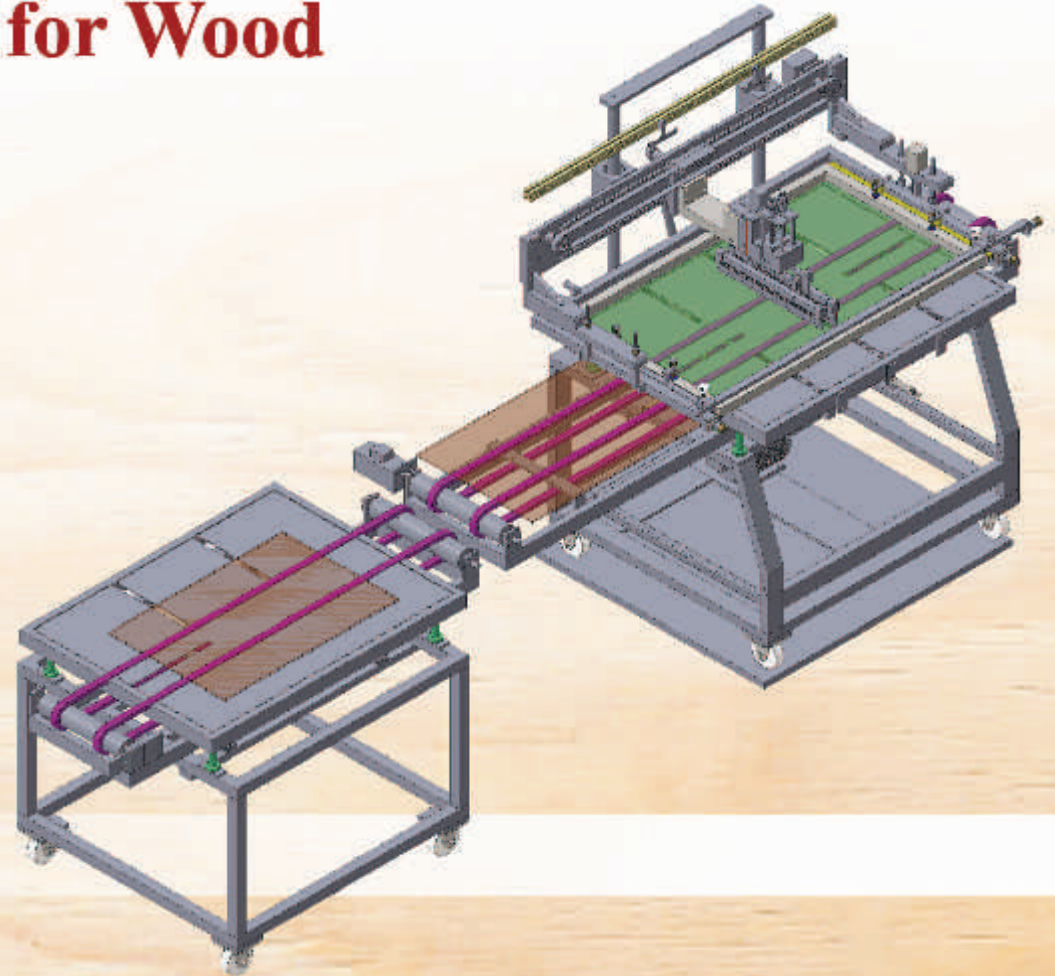
...& many more Flat Items

# Screen Printing Machine for Wood

## Size: 8 x 4 feet

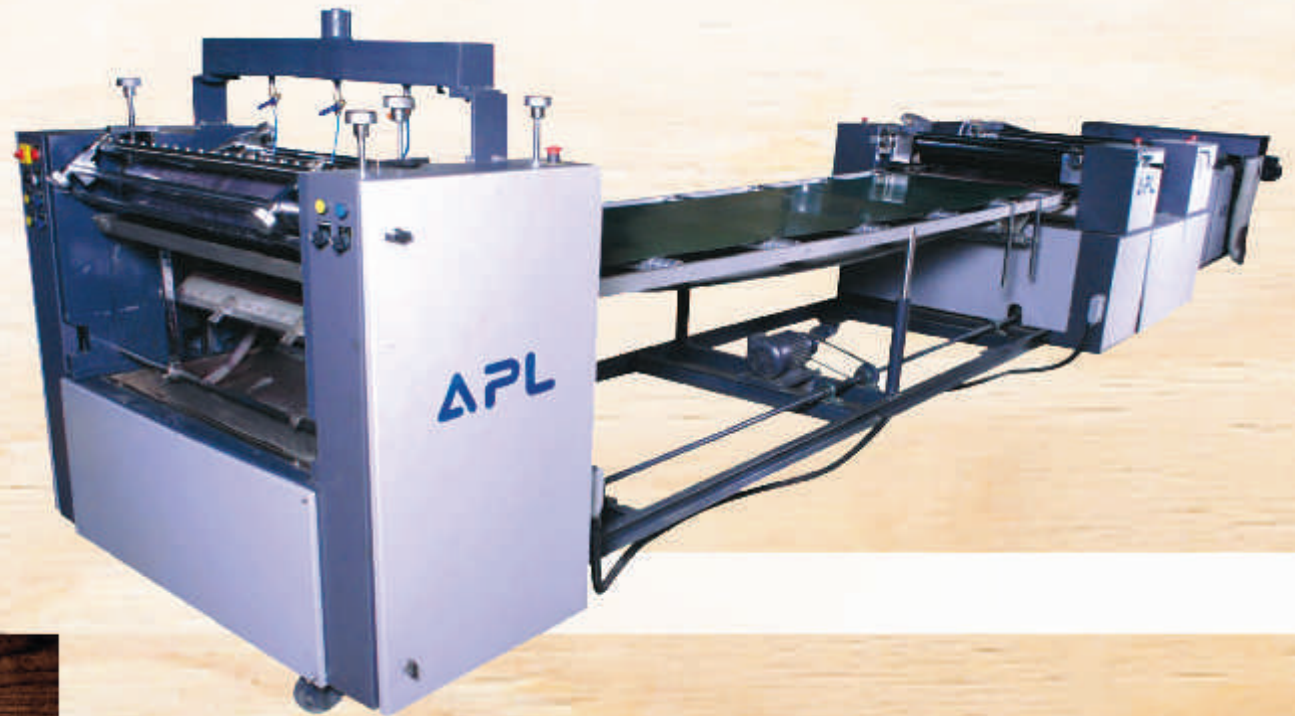
### Feature:

- Screen Printing Machine 8x4 Feet
- Printing Area 8x4 Feet = 96"x48"
- Auto Feeding & Auto Centering
- Maximum Frame Size= 112"x56"
- Minimum Frame Size= 60"x20"
- Maximum Impression Per Over = 200
- 4 Pillar Post System For 100% Accuracy
- X Y Printing Sitting Knobs
- Pneumatic Pressure For Squeeze
- Maximum Squeeze Size 96"x49"
- Maximum Scraper Size 96"x49"
- Minimum Squeeze Size 61"x20"
- Minimum Scraper Size 61"x20"



# Wood PVC / PVC Profile Printing, UV Coating & Curing Machine On line

This machine can Print, UV Coating and Curing on different kind of hollow PVC profile or solid profile Sunmica Board and similar flat surfaces. This machine is available in various size like, 12", 24", 30", 40" and 50". This machine is available in offline and online system. This machine can also print on Aluminum Composite Panel, Glass and Rigid Surfaces.



**Technical Specification for Offline Machine**

Model	APL RCP 12	APL RCP 24	APL RCP 30	APL RCP 36	APL RCP 40	APL RCP 50
Size	375 mm	700 mm	850 mm	1000 mm	1100 mm	1350 mm
Coating Area	300 mm	600 mm	750 mm	900 mm	1000 mm	1250 mm
Power	1/2 HP	1 HP	1 HP	2 HP	3 HP	3 HP



## **APL Machinery Pvt. Ltd.**

**Corporate Office:** Plot No. 70, Sector-59, HSIDC Industrial Estate, Faridabad-121004 (Haryana) INDIA.

**Phone:** +91-129-418 9999 (100 Lines) **Cell:** +91-9811016182, 9971346600

**E-mail:** [cppaul@aplmachinery.com](mailto:cppaul@aplmachinery.com); **Website:** [www.aplmachinery.com](http://www.aplmachinery.com)