



Infinite Innovations

**Manufacturer of  
Glass Printing,  
Coating and  
Surface Finishing  
Machines**

# Inspiring Perspective

1960's

Started screen printing on round objects.

8 factories for printing across India.

1988

1991

Manufactured machine for own use.

Abhishek print Line was formed and we started manufacturing Round Screen Printing for customers.

1995

1996

First machine for flat screen printing for paper.

Manufactured First UV system in India.

1999

2003

First roller coater in India.

Manufactured Full automatic screen printing machine for paper.

2007

2008

Debuted as a participant in Drupa Germany.

Formation of APL Machinery.

2009

2010

Started selling Semi auto screen printing machine for glass.

Started manufacturing Coating and printing lines for wood.

2013

2016

Manufactured

- First fully automatic machines for Glass for cook top industry.
- Roller printing Lines for cook tops.
- Lamination Machine for glass.

- Debuted as a participant in Zak expo (Glass exhibition Mumbai).
- Manufactured a large fully automatic screen printing machine for automotive glass.

2017

2018

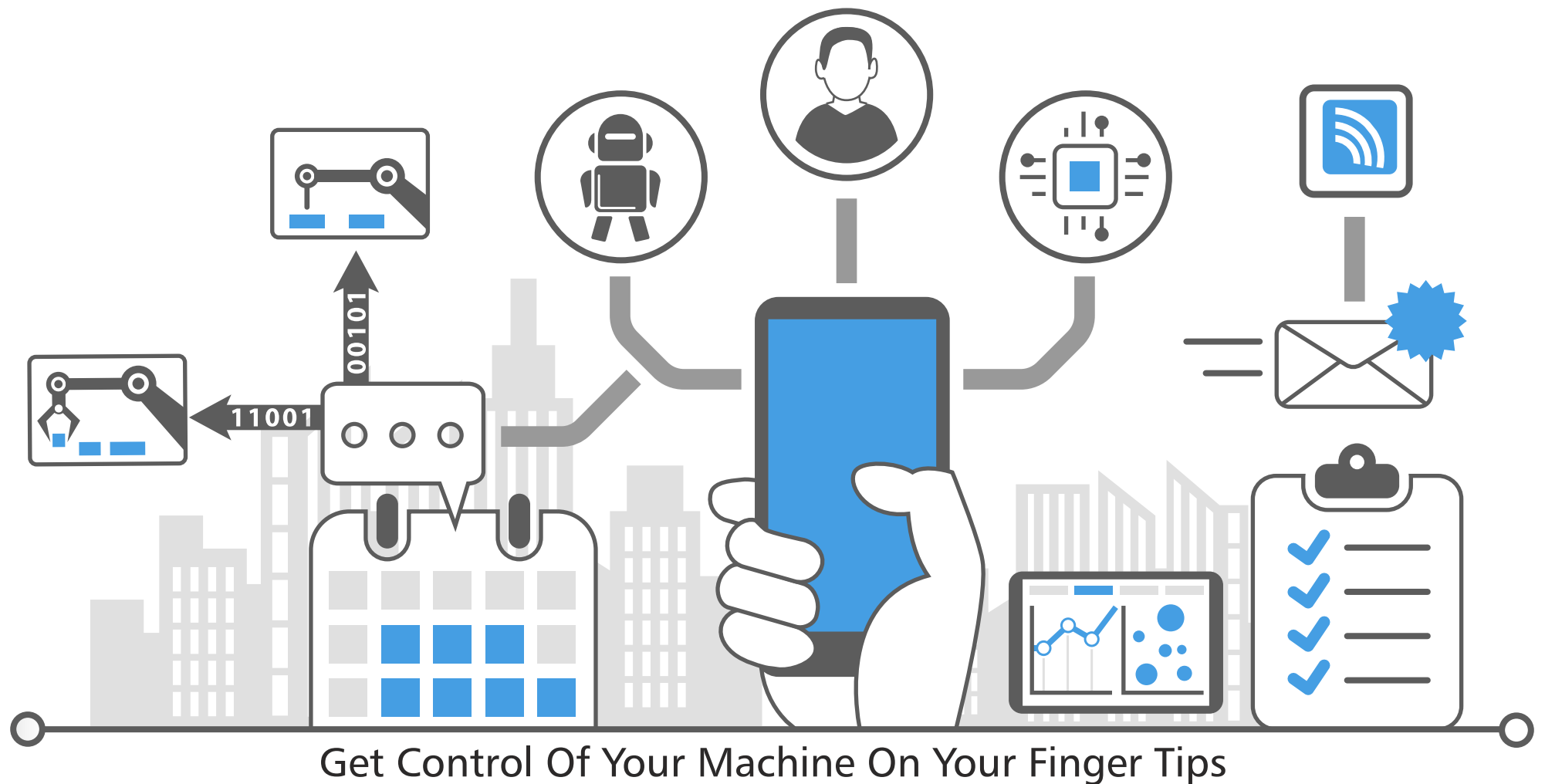
Manufactured first screen printing machine for LED glass with full Servo control and IOT.

# Applications



# Introducing IIOT (Industrial Internet of Things)

- Connect your machines any time you want.
- Get real time production data.
- Get your machine serviced through online support.
- Reduce down time of the machine.



Get Control Of Your Machine On Your Finger Tips

# Atom Flat Screen Printing Machine

Atom screen printing machine is revolution in screen printing industry. This machine is of its own kind with different in of operating system. This machine is available in smaller size and its good for registartion jobs.

## Technical Specification

Model	Atom 2030
Max Print Area	20x30"
Vaccum Bed Size	25x 38"
Screen Frame Size (max)	30x44"
Screen Frame Size (min)	24x24"
Squeeze Size(max)	21.5"
Squeeze Size(min)	12.5"
Flood Coater(max)	21.5"
Flood Coater(min)	12.5"
Maximum Job Thickness	1"
Minimum Job Thickness	No Issue
Speed	1000 lph
Power Consumption	2 Kw
Single/three Phase	Optional
Dimension(lxwxh)	1370 X 762 X 1700mm
Weight	450 Kg Approx



## SPECIAL DESIGN

- Aero Dynamic Squeeze Holder for Equal Pressure.
- Aero Dynamic Flood Coater Holder for Equal Coating.
- Easy Setting through Sensor.
- PLC Control System with HMI Penal.

## 5 MODES TO RUN THE MACHINE

1. **Manual Mode:-** We can use this for Printing settings.
2. **Single Mode:-** It will stop after Single Impression.
3. **Auto Mode:-** It will be on Auto Mode.
4. **Multi Mode:-** It can run with three impression.
5. **Coating Mode:-** After Ink Coating, it will stop.



Squeegee and Flood Bar



Micro Registration Knob

# APL Electron (Semi Automatic Screen Printing Machine)

## Technical Specification

Model	APL 4560	APL 5075	APL 6090
Max. Printing Size	450 x 600 mm	500 x 750 mm	600 x 900 mm
Min. Printing Size	200 x 200 mm	200 x 200 mm	200 x 200 mm
Screen Frame Size	680 x 980 mm	730 x 1130 mm	830 x 1280 mm
Printing Table Size**	550 x 800 mm	600 x 950 mm	700 x 1100 mm
Power (KW)	2.3 KW	2.3 KW	2.3 KW
Machine Size **	950x1200x1700 mm	950x1350x1700 mm	1000x1500x1700 mm

\*\* The sizes mentioned are indicative and subjected to change without any notice

### Features:

- High speed, reliable and user friendly machine.
- Motor driven vertical lift by high precision ball screw jacks are fast and stable.
- Touch control machine with HMI and PLC control.
- Automatic printing station with electric and pneumatic control.
- Micro adjustment setting in screen frame.
- Safety options on demand available ensuring personal safety, Emergency stop switch, safety system reset.



# APL Photon (Semi Automatic Screen Printing Machine with Auto Centering)

## Technical Specification

Model	APL 4560	APL 5075	APL 6090
Max. Printing Size	450 x 600 mm	500 x 750 mm	600 x 900 mm
Min. Printing Size	200 x 200 mm	200 x 200 mm	200 x 200 mm
Screen Frame Size	680 x 980 mm	730 x 1130 mm	830 x 1280 mm
Printing Table Size**	550 x 800 mm	600 x 950 mm	700 x 1100 mm
Power (KW)	2.3 KW - 3.0 KW	2.3 KW - 3.0 KW	2.3 KW - 3.0 KW
Machine Size **	950x1200x1700 mm	950x1900x1800 mm	1000x2100x1800 mm

\*\* The sizes mentioned are indicative and subjected to change without any notice

## Features:

- All features of APL electron.
- Auto centering with micro registration of pins for glass.
- Servo control auto take off system for glass.



# APL Neutron

(Fully Automatic Screen Printing Machine)



## Features

All features of APL Photon and APL Referencing Table.

### APL Referencing Table

- Referencing table will be used to feed the glass into the printing station.
- Manual feed at the first stage & auto feeding arrangement after IR dryer in 2 station printing line.
- The glass will be rightly positioned in this station which will support printing machine registration.
- Equipped with safety features.

## Technical Specification

Model	APL C-4560	APL C-5075	APL C-6090
Max. Printing Size	450 x 600 mm	500 x 750 mm	600 x 900 mm
Min. Printing Size	200 x 200 mm	200 x 200 mm	200 x 200 mm
Screen Frame Size	680 x 980 mm	730 x 1130 mm	830 x 1280 mm
Printing Table Size**	550 x 800 mm	600 x 950 mm	700 x 1100 mm
Power (KW)	2.3 KW-3.0 KW	2.3 KW-3.0 KW	2.3 KW-3.0 KW
Machine Size **	950x1700x1800 mm	950x1900x1800 mm	1000x2100x1800 mm

\*\* The sizes mentioned are indicative and subjected to change without any notice



# APL Quark (Fully Automatic Screen Printing Machines with Auto Take Off and Dryer)

## Application Scope:

Suitable for screen printing on auto glass printing (windshield, side & backlite etc.), architectural glasses

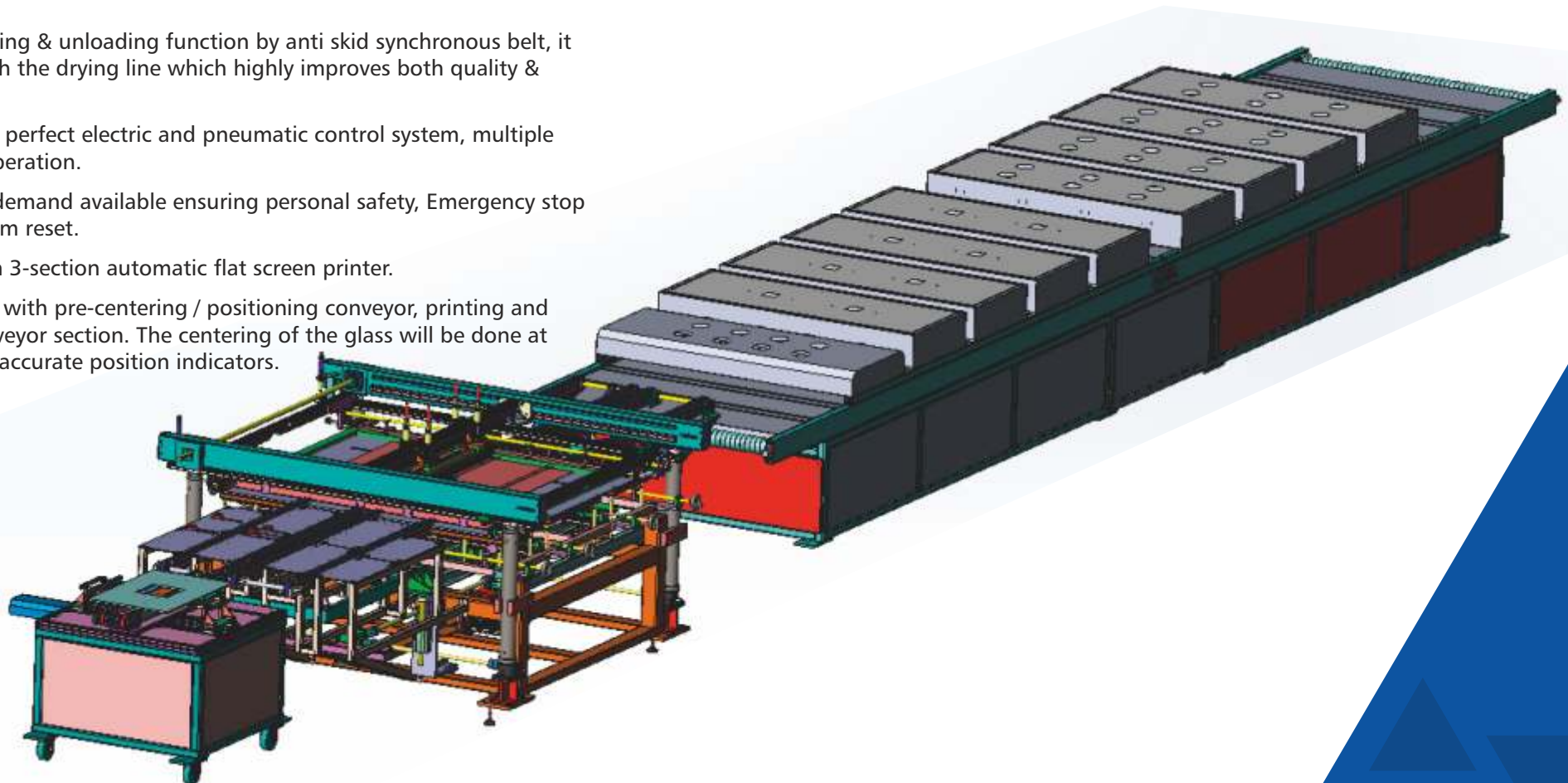
## Features:

- High speed, reliable and user friendly.
- Motor driven vertical lift by high precision synchronized ball screw jacks at four corners are fast and stable.
- Combines loading, accurate positioning, belt transmission, automatic printing as a whole set of glass printing of high precision and high efficiency.
- Designed for mass production of car window glasses, side window & flat glass industry.
- With the auto feeding & unloading function by anti skid synchronous belt, it can be connect with the drying line which highly improves both quality & productivity.
- PLC & HMI control, perfect electric and pneumatic control system, multiple functions & easy operation.
- Safety options on demand available ensuring personal safety, Emergency stop switch, safety system reset.
- This equipment is a 3-section automatic flat screen printer.
- Machine combines with pre-centering / positioning conveyor, printing and exit/unloading conveyor section. The centering of the glass will be done at printing bed using accurate position indicators.

## Technical Specification

Model	APL 90180	APL 130250	APL 200300
Max. Printing Size	900 x 1800 mm	1300 x 2500 mm	2000 x 3000 mm
Min. Printing Size	500 x 500 mm	500 x 500 mm	500 x 500 mm
Screen Frame Size	1200 x 2200 mm	1600 x 2900 mm	2300 x 3400 mm
Printing Table Size**	1550 x 2500 mm	1900 x 3200 mm	2600 x 3700 mm
Power (KW)	6-10 KW	6-10 KW	6-10 KW
Machine Size **	7000x2300x1300 mm	9000x2700x1300 mm	10000x3500x1300 mm

\*\* The sizes mentioned are indicative and subjected to change without any notice



# APL Neutron (Fully Automatic Two Colour Screen Printing Machine)

## Printing Machine:

Motor driven vertical lift, anti skid synchronous belt convey, fast and stable. With the manual feeding function, it can connect the drying line which highly improved both quality & productivity. The technical parameters are mentioned below:

### Technical Specification

Max. Printing Size	:	500x500 Mm
Min. Printing Size	:	150x150 Mm
Printing Table Size	:	750x650 Mm
Max. Frame Size	:	800x900 Mm
Glass Convey Height	:	93020 Mm
Thickness Range	:	3-8 Mm
Adjustment	:	15 Mm X-y
Peel Off Screen	:	5-10 Mm
Printing PC/HR	:	Approx. 300 Nos
Motor	:	Servo For Up- Down & Conveyor, Printing Motor Induction Type
Motor Make	:	Mitsubishi, Rotomotive Or Equivalent
Control	:	Plc & Hmi
Squeeze Scrapper	:	Pneumatically Operated
Convey Medium	:	Timing Pulley & Belt
Pneumatics	:	Festo, Smc Or Equivalent
Power	:	415v, 3- Phase 50hz , 3-4 Kw
Air Supply	:	6-8 Bar
Weight	:	Less Than 2000 Kgs
Qty	:	02 Nos.
Machine Dimensions	:	1950x1300x1800 Mm





### Referencing table:

Referencing table will be used to feed the glass into the printing station. Manual feed at the first stage & auto feeding arrangement after IR dryer will be provided in the line.

• Outer width	:	800 mm approx.
• Convey speed	:	3-8 m/ min
• Convey height	:	93020 mm
• Convey medium	:	Timing pulley & belt
• Motor	:	Induction motor
• Pre-centering (auto)	:	Induction motor fitted with linear guides & screw
• Convey Motor power	:	0.5 KW
• Qty	:	02 No.

# Screen Exposure 5-in-1



## 5 Features:

- Screen exposure
- Screen dryer
- Screen inspector
- Emulsion coating stand with trough
- Mechanical fabric stretcher

# Computer to Screen Machine



With this technology it is possible to save significantly on the time and cost of drafting the template. It's a unique product in the world. You apply a layer of emulsion to the site, then the CTS device prints the desired design directly to the underside of the site, and then the site illuminates the UV LED in the same CTS device.

After lighting the site is washed and ready for printing. Especially developed UV LEDs are very economical, they consume much less energy than metal halide UV lamps and are very long-lasting, and can last for more than 10 years.

# IR Drying Oven

## Features:

- IR Lamps with intensity control systems.
- Hot Air Dryer.
- Built in digital automatic temperature controlled systems.
- Adjustable Conveyor speed.
- Hot Air Dryer for good air circulation.
- Each IR section has separate control/ON/OFF.
- Cooling Blower.
- Insulated Chamber.
- One Year Warranty.
- All safety features.

\* IR Oven is customized as per requirement.



# Glass Cooling Oven



## Features:

Cooling glass conveyor is used to cool down the temperature of glass coming out from the hot air dryer using cold air being pumped on the glass. Its fresh air which is supplied by an AHU( air handling unit).

\* Cooling glass Conveyor is customized as per requirement.

# UV Curing System



## Features:

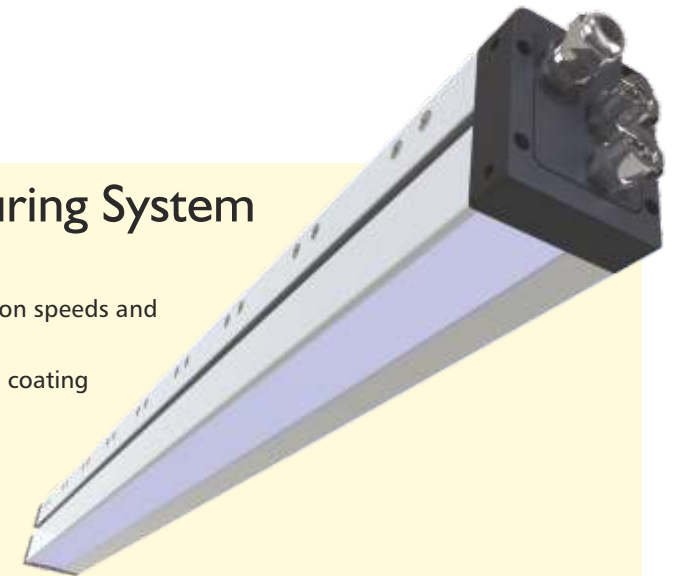
- Long Life Transformer / Step less intensity control .
- Power Supply: 415 V AC.
- High quality reflector and housing.
- Efficient cooling systems with Blower.
- Complete control Panel with following features.
- UV. On / off switch for lamp.
- Blower On/ Off Switch.
- AC Frequency Drive.
- Separate Meter for showing Lamp Current Hour meter.

## High Performance LED UV Curing System

### APL LED BENEFITS

APL LED systems are designed to meet the highest production speeds and most intense drying applications in wood coating:

- Huge power saving
- No warm-up/cooling time (Instant On/Off)
- No Heat generation/cold UV
- Lamp Life more then 20,000 hours.
- High fidelity and gloss in coating
- No smell
- Incredibly Fast ROI



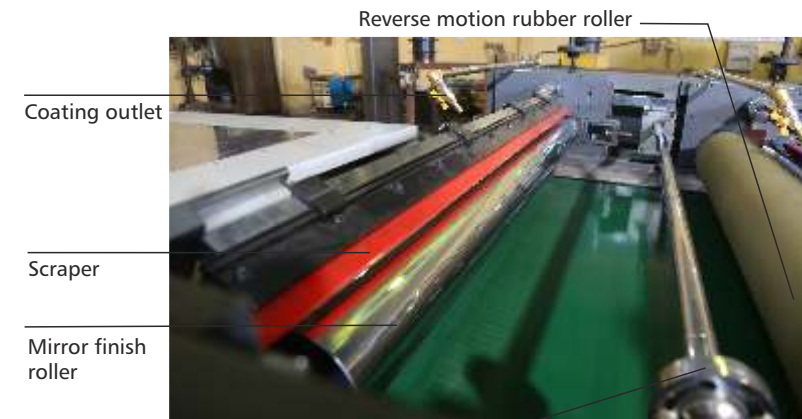
# Double Station Roller Coater

Double station roller coater suitable to apply high quantities of sealer or top coats smoothly, with application quality comparable to a curtain coater application. Double station roller coater to apply wet on wet stains, primers and sealers. Double station roller coater with second application of roller REVERSE coating technology, to apply high viscosity sealers.



## Features:

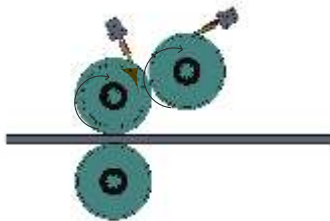
- Online Roller Coating UV varnish machine for glass.
- Pump for circulating the varnish.
- A.C. Drive & easy control Panel.
- Quick & easy start.
- Finished & hard chrome plated balanced cylinder.
- Imported Rubber for uniform coating.
- Varnish thickness can be changed with HMI.
- Minimum speed: 10 Mtr PM.
- CE Certified Model.
- Covers for Extra Safety.
- International Design.



Roller pressure adjustment

# Single Station Roller Coater

Roller Coater is most suitable for all kind of coating applications. In this Possibility of fixed, rigid head for different applications / thickness and the floating, auto-levelling system for others – this gives constant pressure over the entire panel shape.





# Digital Printing Machine

Flatbed Printer Feature:

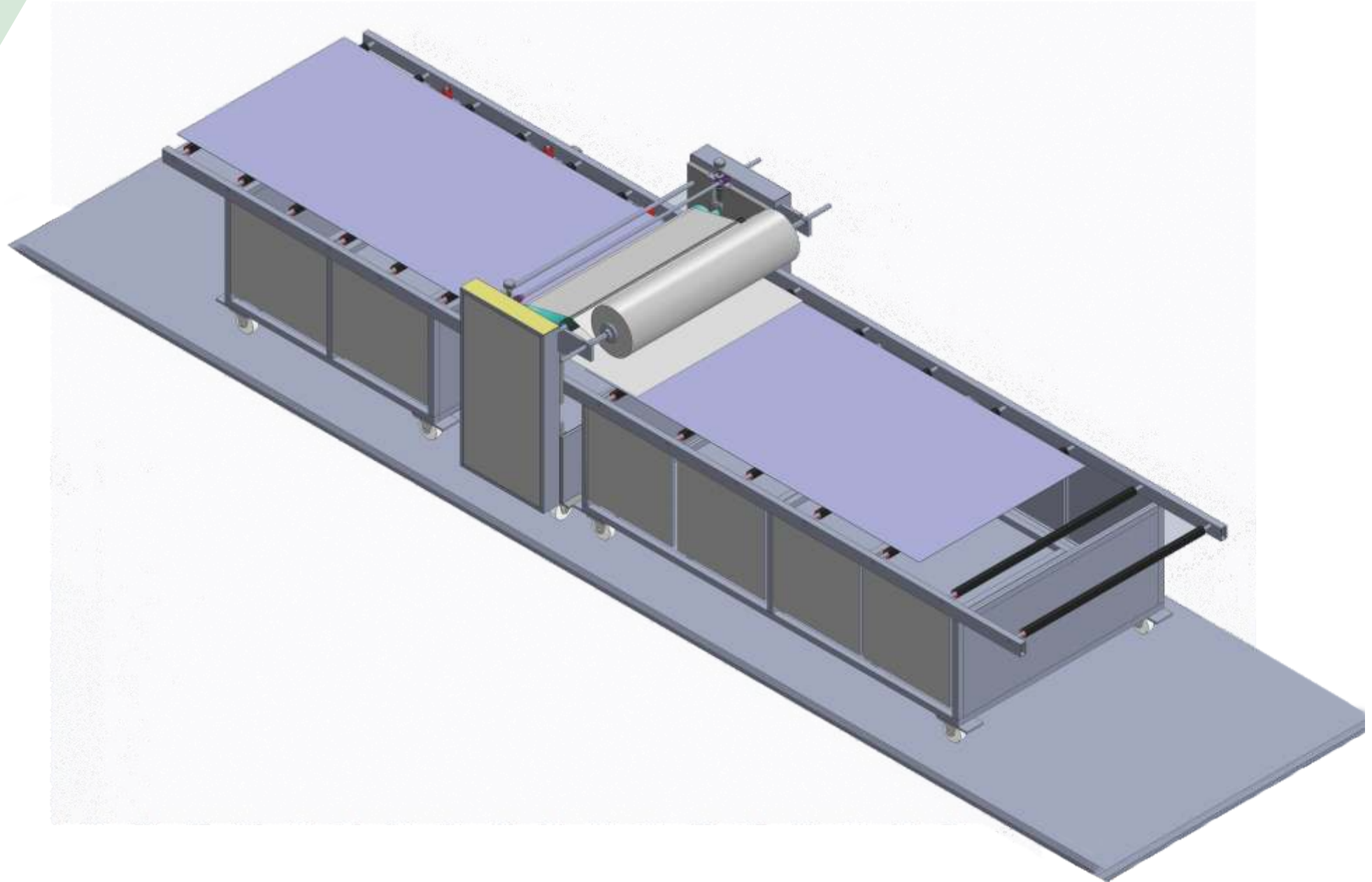
1. Category: APL UV Flatbed Printer Series
2. Print Head: Piezo head
3. Print Head: GENS
4. Print Head Type Head Control : Software Auto-control print head voltage
5. Ink Type : UV Ink
6. Ink Cartridge : CISS Ink / Volume 1 000ml
7. Dry system: LED water-cooled UV lamp
8. RIP Software : Photoprint / Printer Manager /Main Top/ Ultraprint adjustment function
9. File Format : TIFF/BMP/PDF/EPS/JPEG etc
10. Power Supply: AC220V( $\pm 10\%$ ), 50HZ,  $\geq 16A$ , P 4 KW
11. Working Environment: Temperature 20°C-28°C, Humidity 20-60%



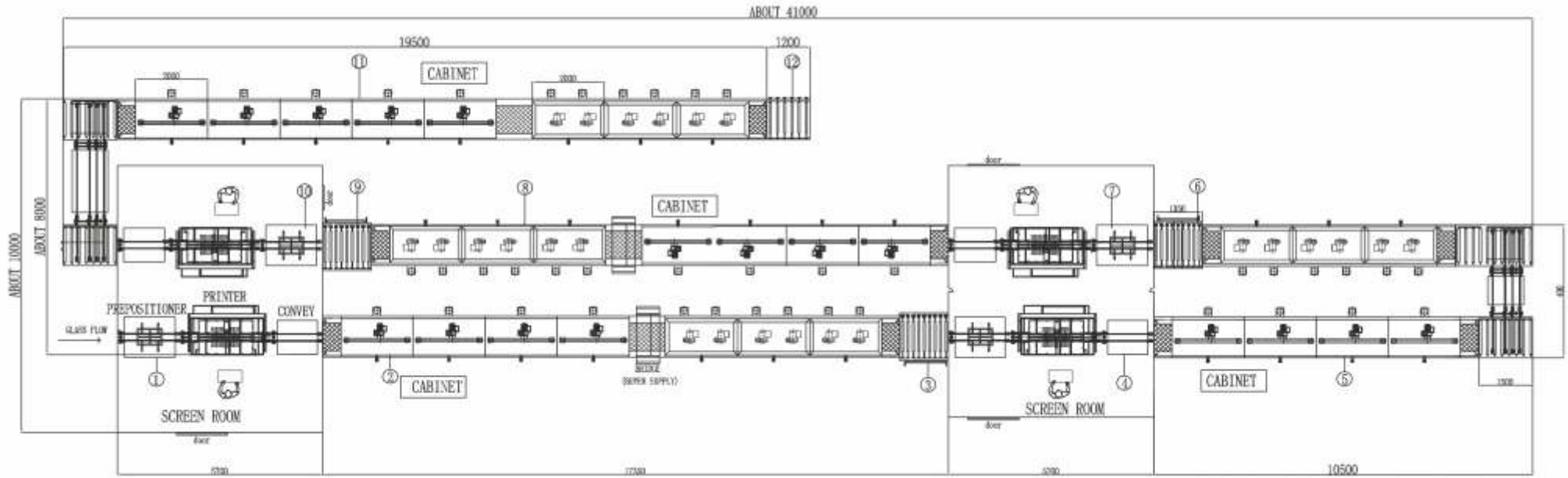
# Lamination Machine

Glass lamination machine is used to paste protective film or aluminum foil to glass from roll to sheet form.

It can be made from 600mm to 1.3 as per the requirement.



# Automatic Printing Line



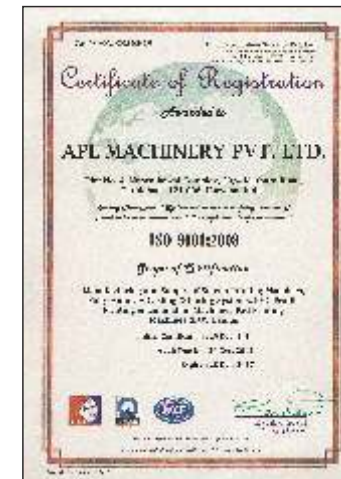
## Our Customers

- GSC GLASS LTD. • Asahi India Glass Limited
- SAG • Ace Incorporation • Celario
- Glass House • BM Glasstech • TPRS
- Pacific Tuff Glass LLP • Vishal JB Glass
- Jomson • Infinity Glass Industries
- Birkan • MPR Creation • Pankaj Décor
- Fine Art Glass Works • Vaso Overseas Inc
- Advance Glass Works • Goel Glass Decorator

## Certificate

The customer is supreme quality first  
Continue to innovation sustainable  
management

- To the quality strives for the survival
- Quality is the lifeblood of an enterprise
- To seek business integrity
- Take the good faith as the most basic principle
- Service for development
- With good service to establish cooperative relations for a long time





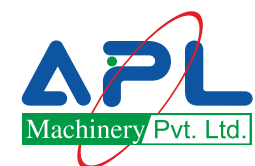
**Installations all over the World**

## **APL Machinery Pvt. Ltd.**

**Corporate Office:** Plot No. 70, Sector-59, HSIDC Industrial Estate, Faridabad-121004 (Haryana) INDIA.

**Phone:** + 91-129-418 9999 (100 Lines) **Cell:** + 91-9811016182, 9971346600

**E-mail:** [cppaul@aplmachinery.com](mailto:cppaul@aplmachinery.com), [abhishek@aplmachinery.com](mailto:abhishek@aplmachinery.com) **Website:** [www.aplmachinery.com](http://www.aplmachinery.com)



Infinite Innovations